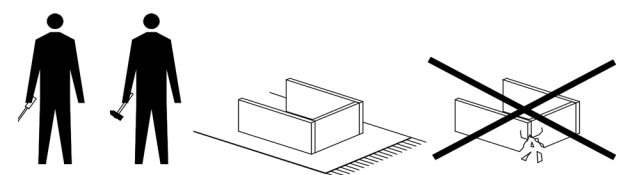
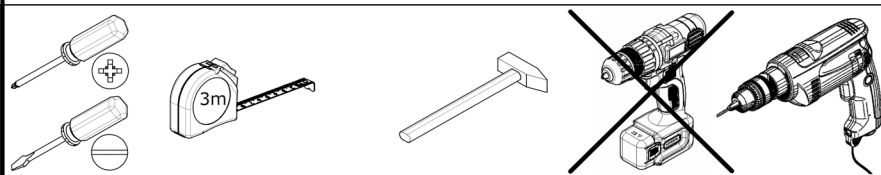
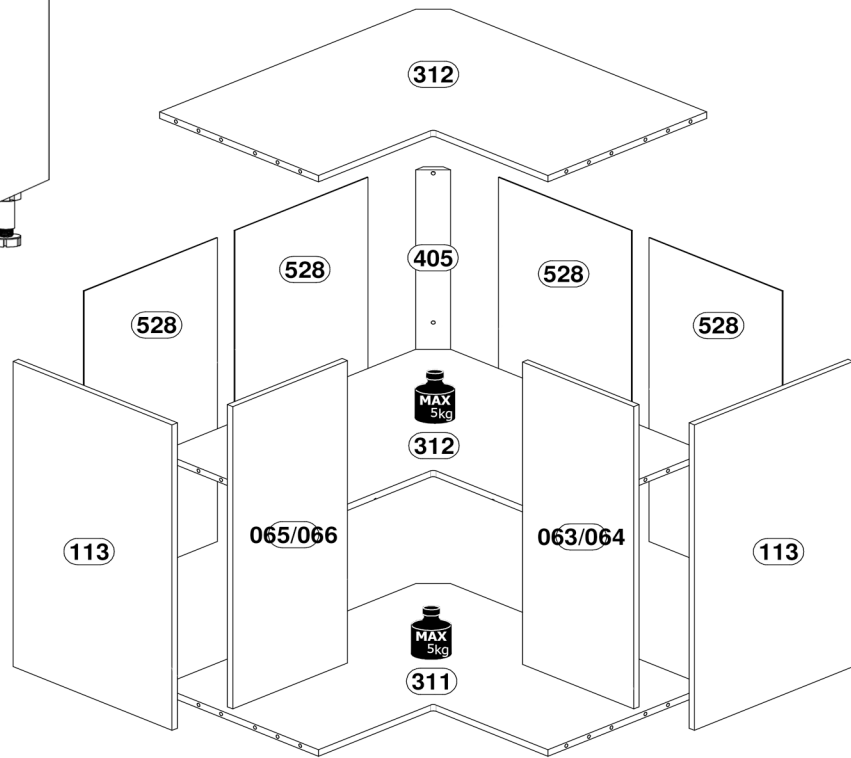
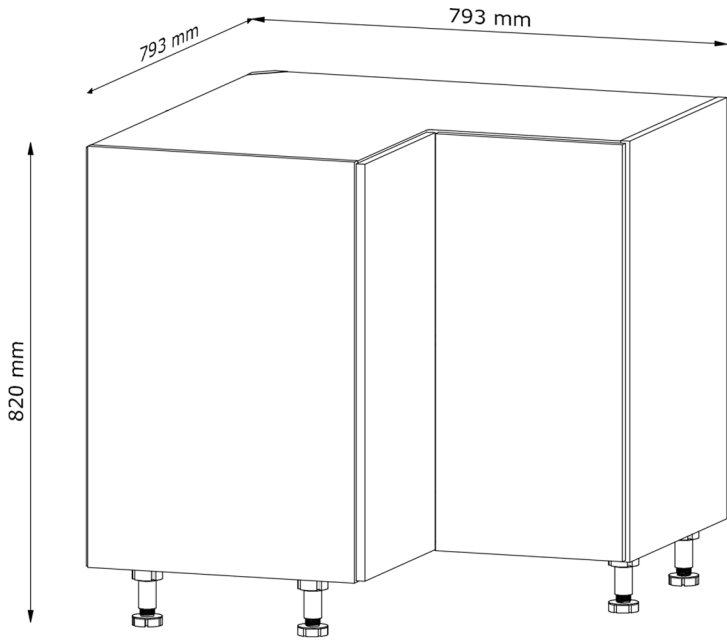
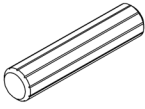
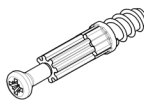
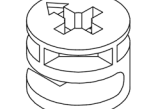
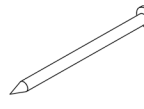
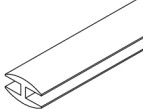
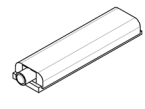
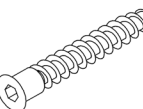
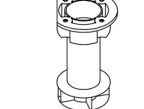

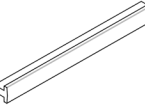
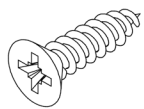
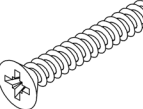
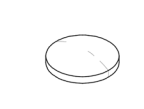
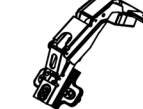


# LANGEN

# D90N

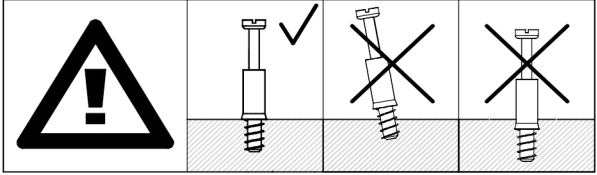
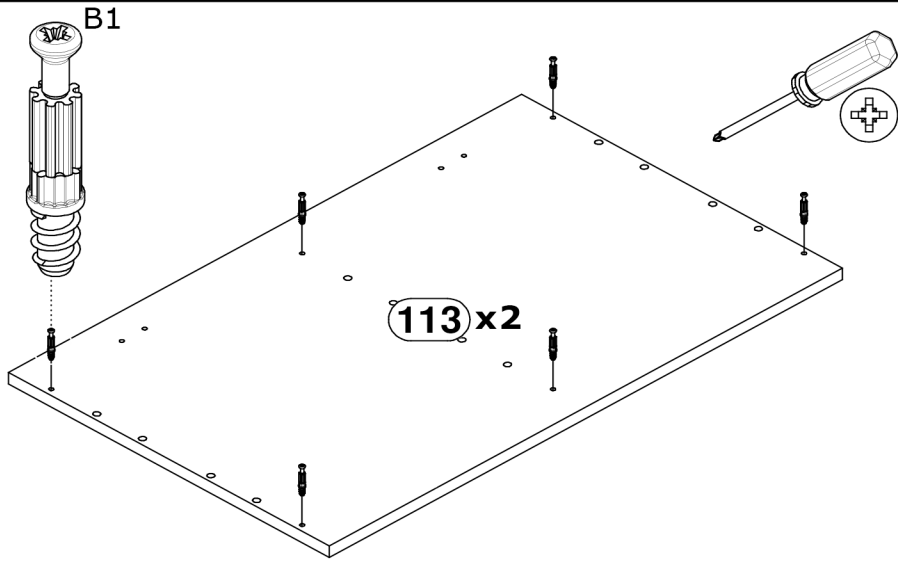


|   |   |  |  |   |
|---|---|--|--|---|
| <b>A1</b> x24<br><br>Ø8x35mm    | <b>B1</b> x12<br><br>Ø5x38mm   | <b>C1</b> x12<br><br>Ø15x12mm | <b>G1</b> x56<br><br>26mm     | <b>H4</b> x2<br><br>Ø715mm       |
| <b>I20</b> x1<br><br>83x21x11mm | <b>J10</b> x 8<br><br>Ø21mm    | <b>K1</b> x3<br><br>Ø6,4x50mm | <b>L1</b> x 5<br><br>Ø50x95mm | <b>N2</b> x1<br><br>4mm HEX      |
| <b>U18</b> x1<br><br>200mm      | <b>W2</b> x30<br><br>Ø3,5x16mm | <b>W5</b> x2<br><br>Ø4x30mm   | <b>Y1</b> x4<br><br>Ø8x1,5mm  | <b>Z8</b> x 4<br><br>Ø35mm, 165° |

| Nr      | L[mm] | W[mm] | M[mm] | PCS | BOX |
|---------|-------|-------|-------|-----|-----|
| 063/064 | 713   | 315   | 15/18 | 1   | 3/3 |
| 065/066 | 713   | 325   | 15/18 | 1   | 3/3 |
| 113     | 720   | 450   | 15    | 2   | 2/3 |
| 311     | 775   | 775   | 15    | 1   | 1/3 |
| 312     | 775   | 775   | 15    | 2   | 1/3 |
| 405     | 720   | 70    | 15    | 1   | 1/3 |
| 528     | 716   | 377   | 2,5   | 4   | 2/3 |

**1**

**B1 x12**  
Ø5x38mm



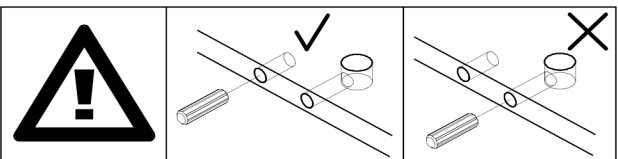
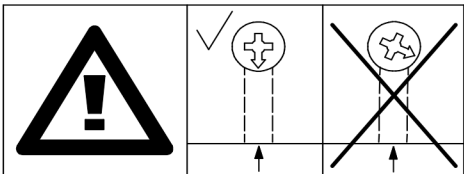
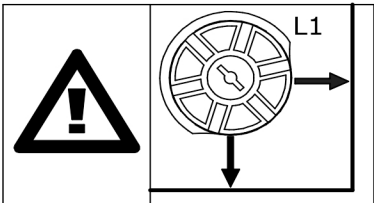
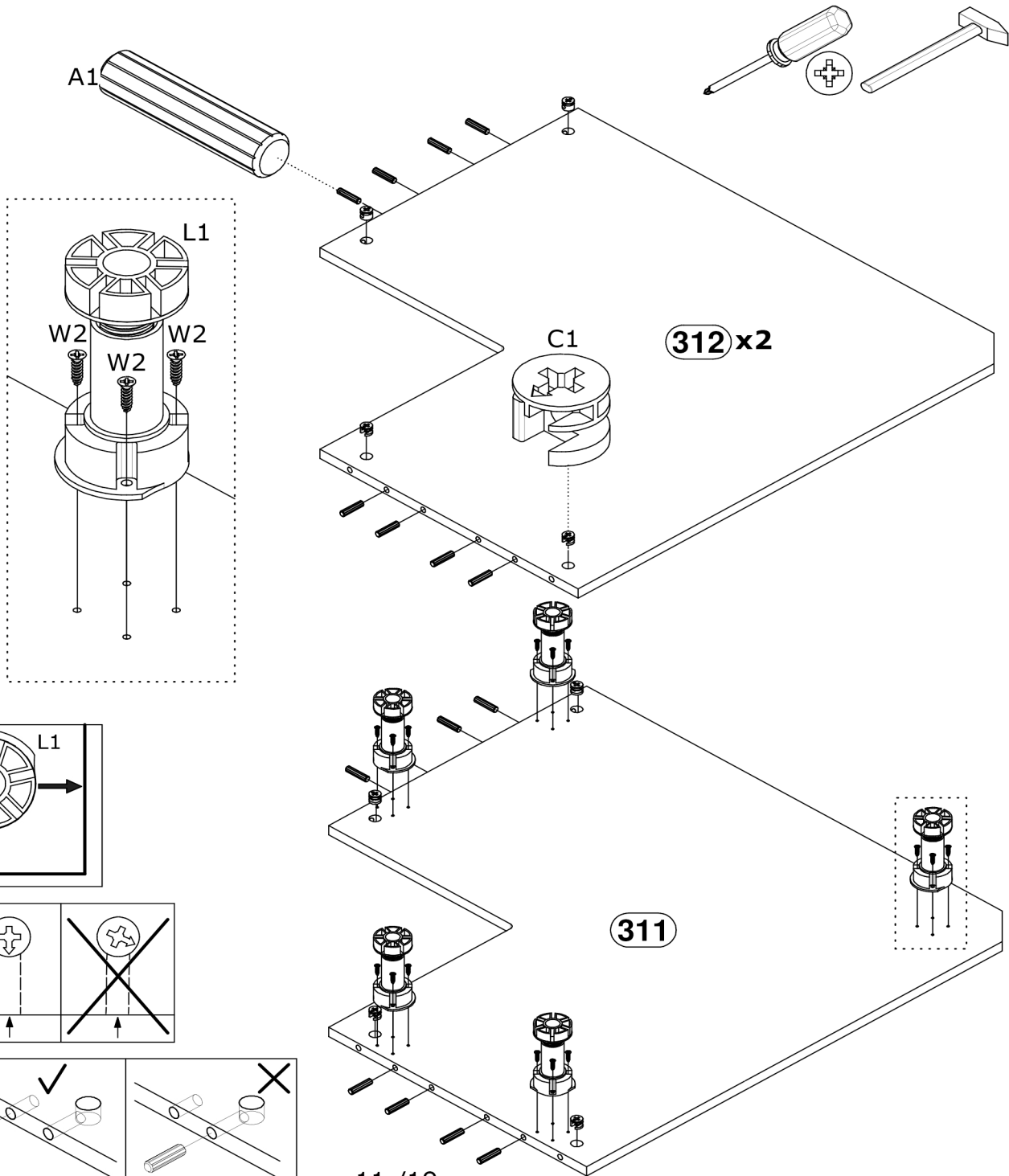
**2**

**A1 x24**  
Ø8x35mm

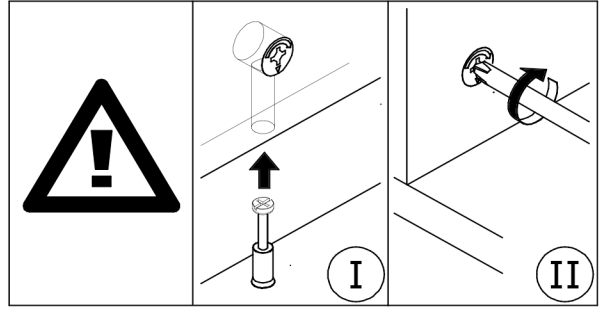
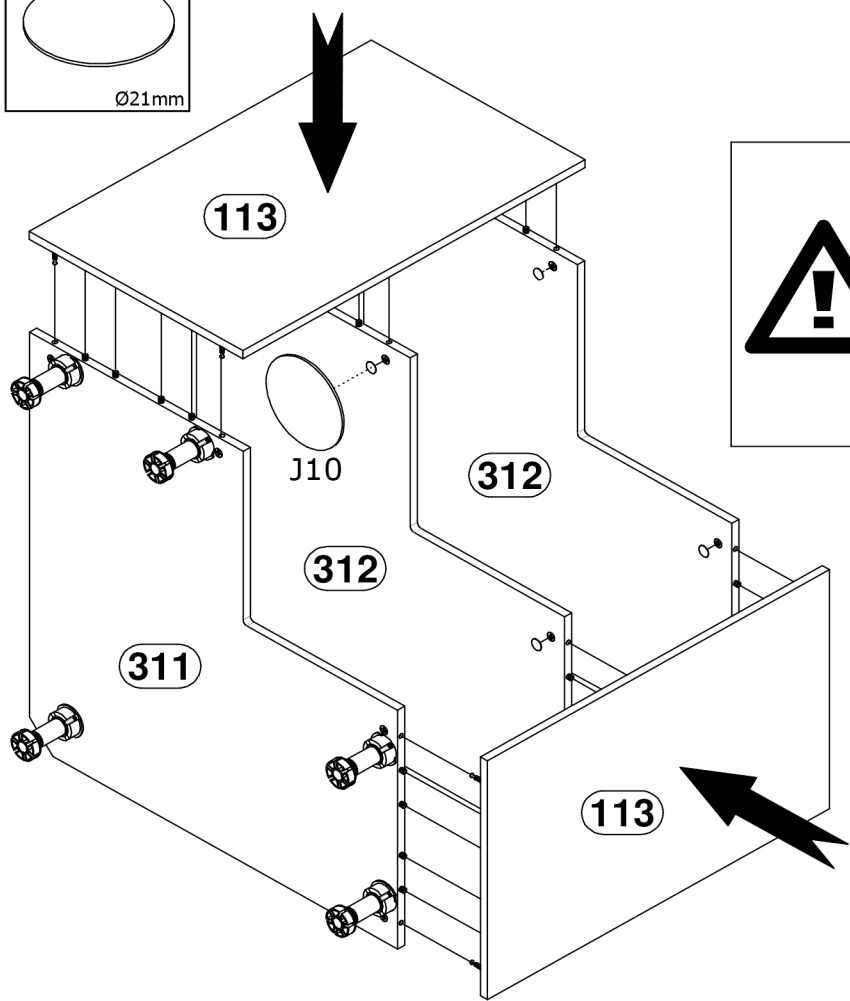
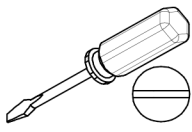
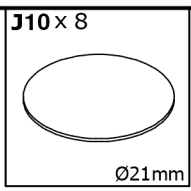
**C1 x12**  
Ø15x12mm

**L1 x5**  
Ø50x95mm

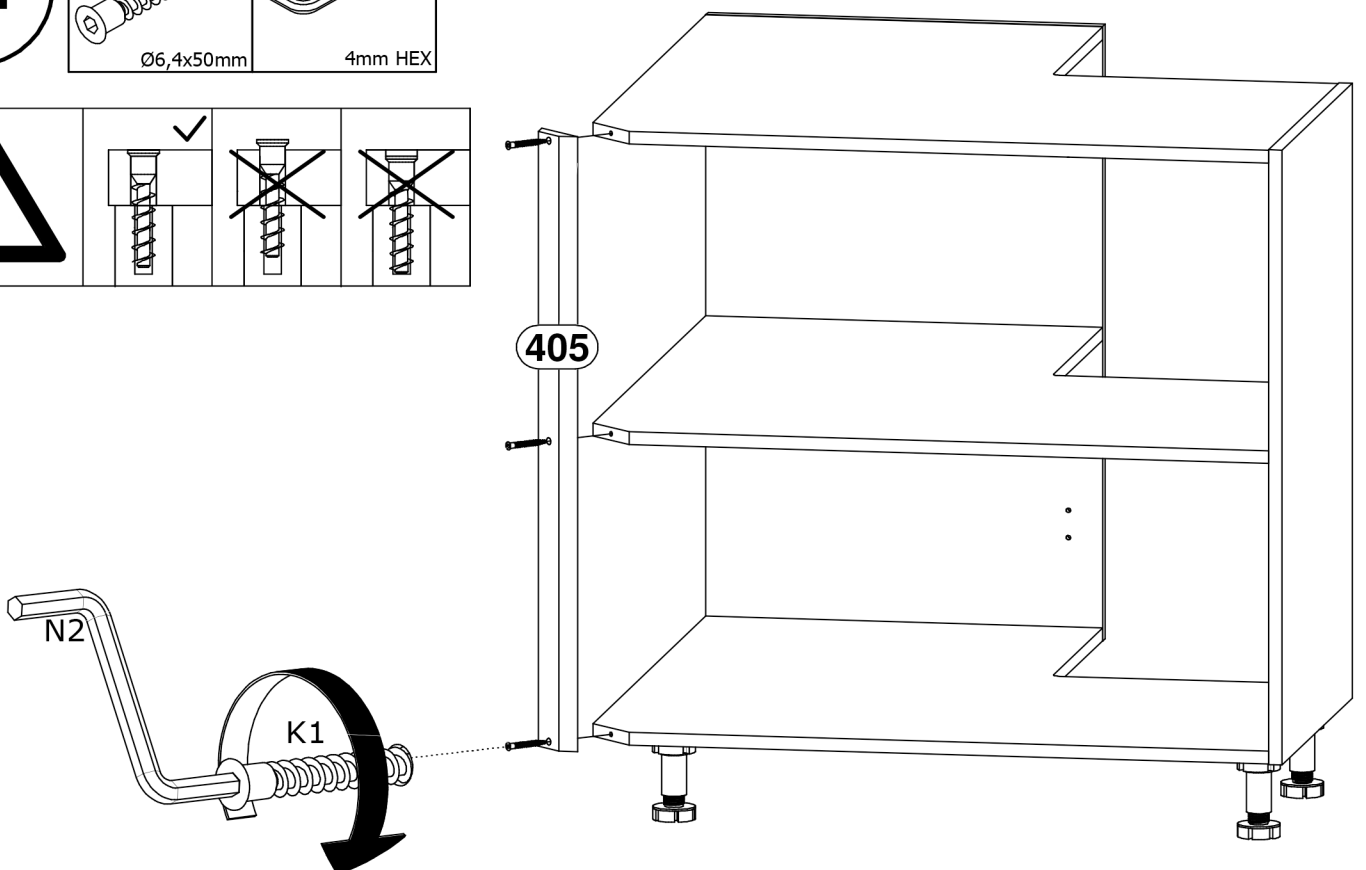
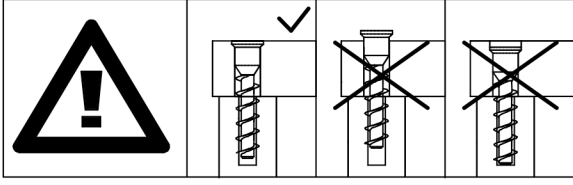
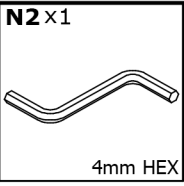
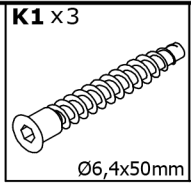
**W2 x20**  
Ø3,5x16mm



**3**

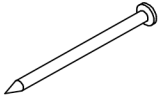


**4**



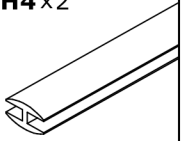
# 5

G1 x 56

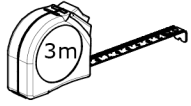
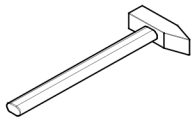
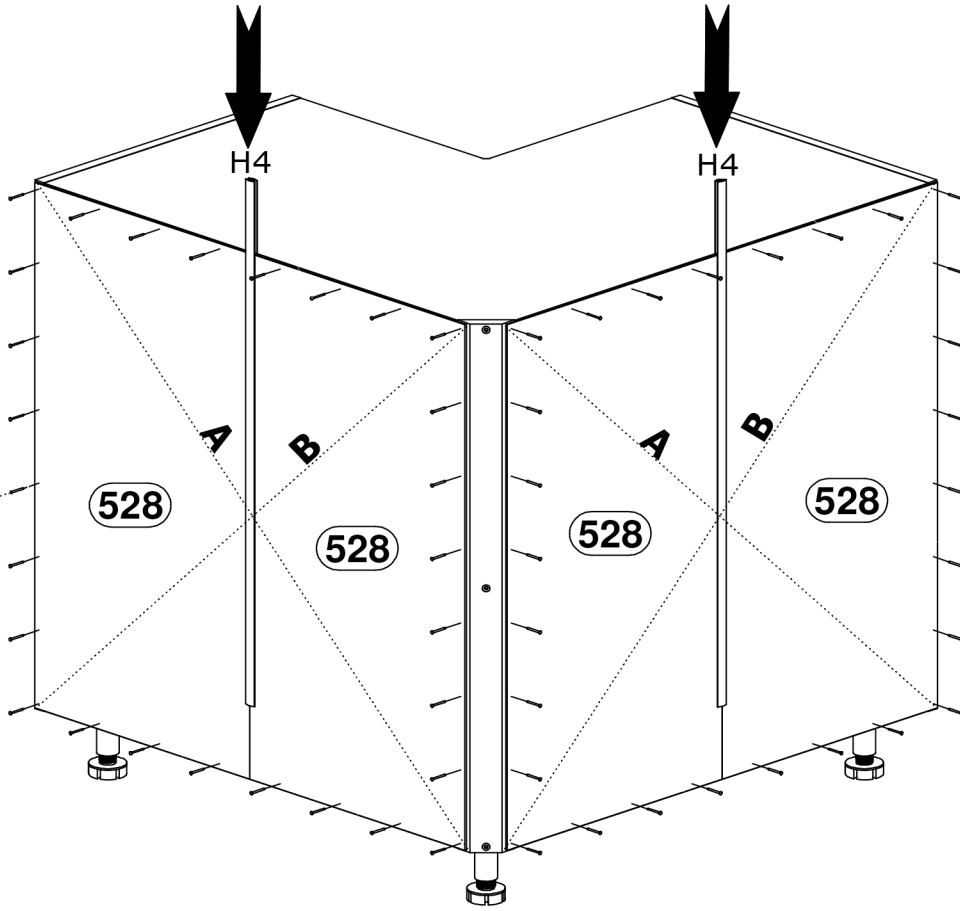
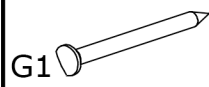


26mm

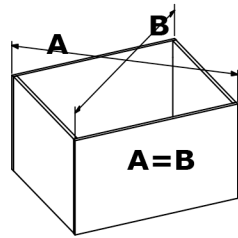
H4 x 2



Ø715mm

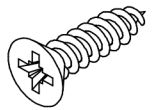


$A=B \equiv 90^\circ$



# 6

W2 x 8

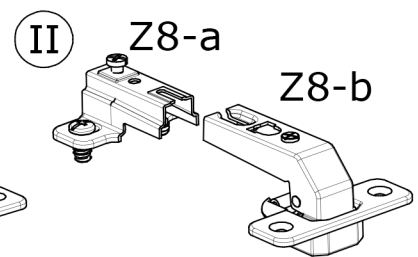
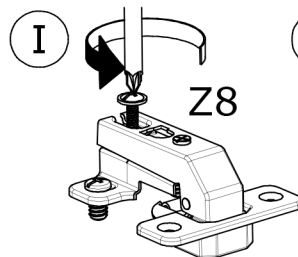
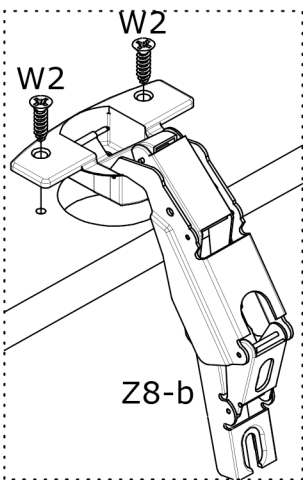
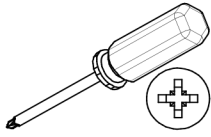
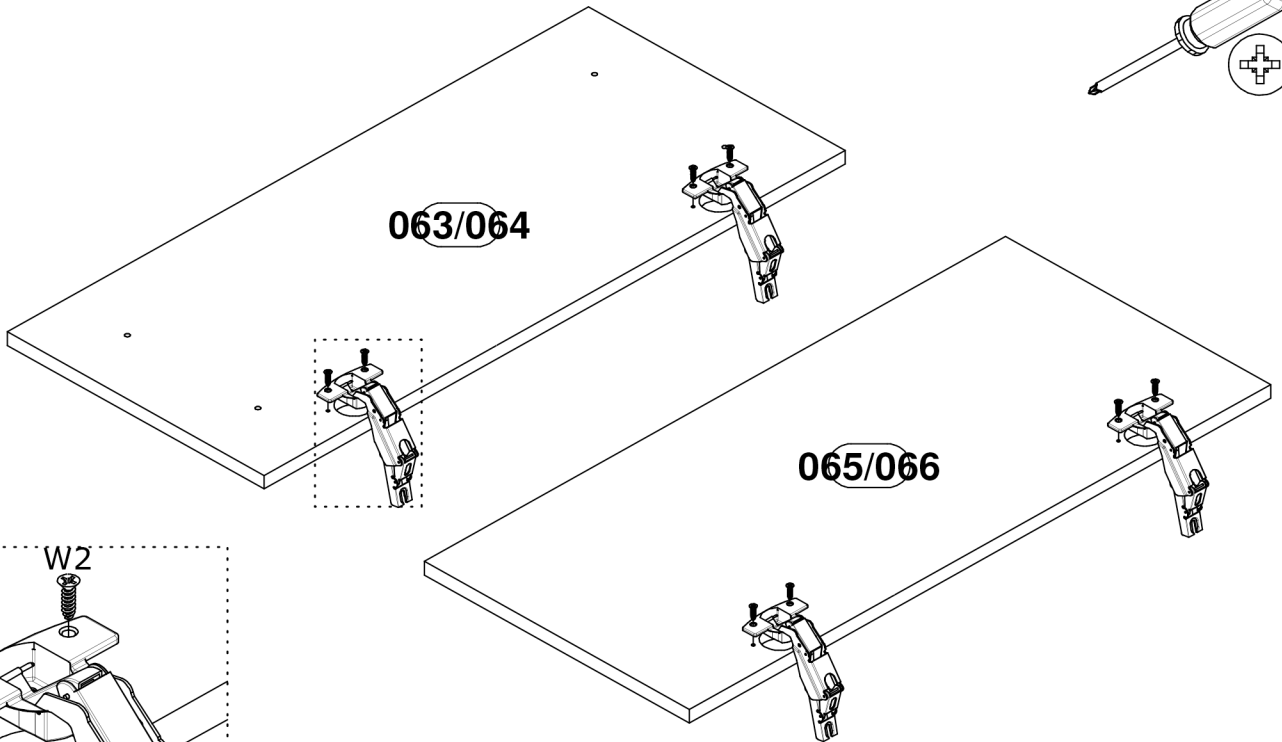


Ø3,5x16mm

Z8 x 4

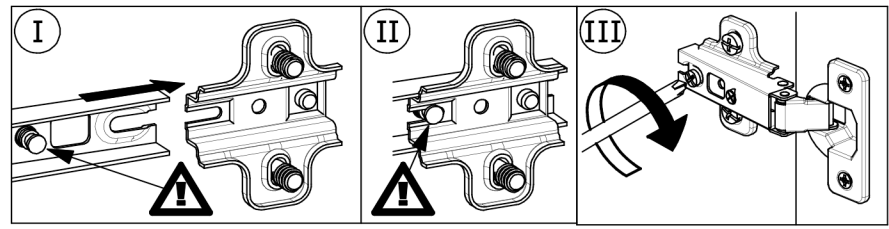
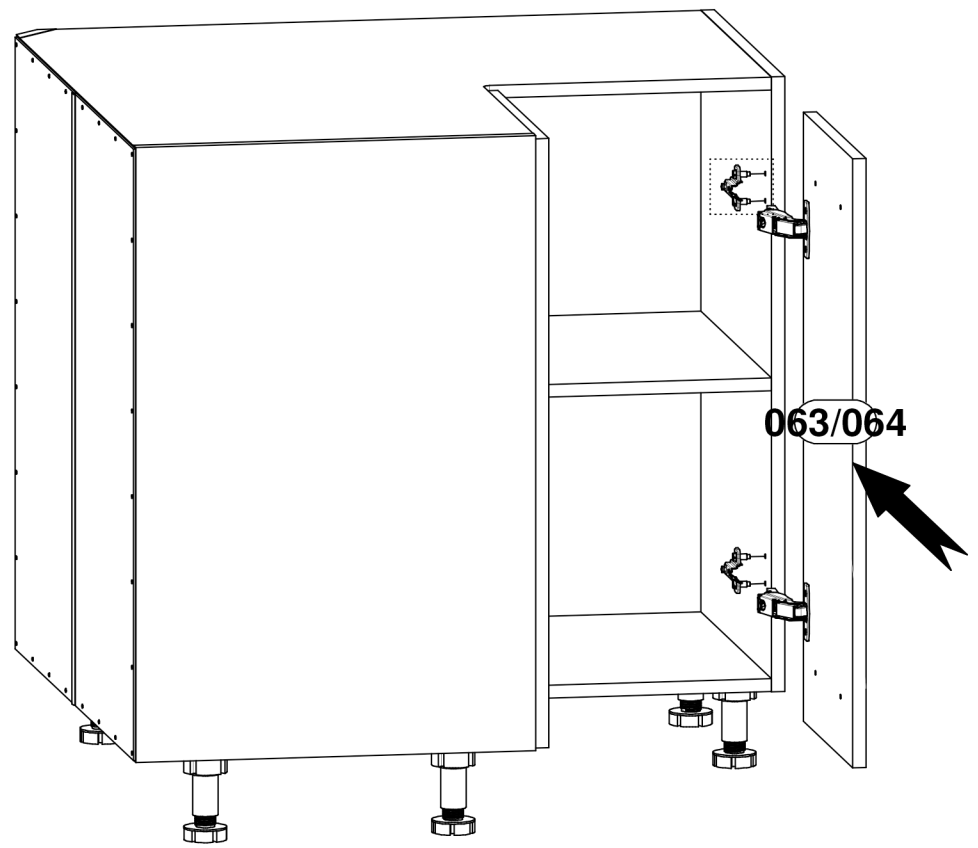
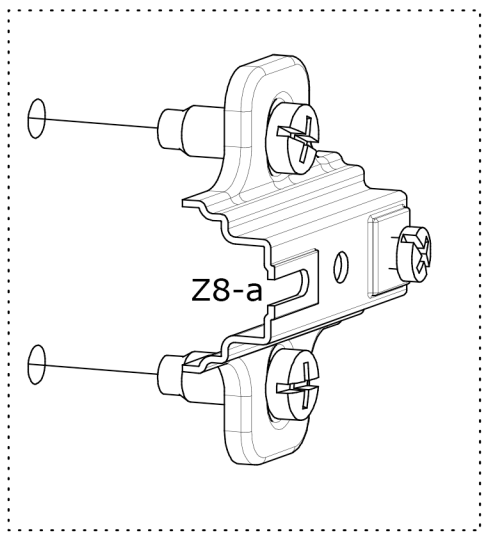
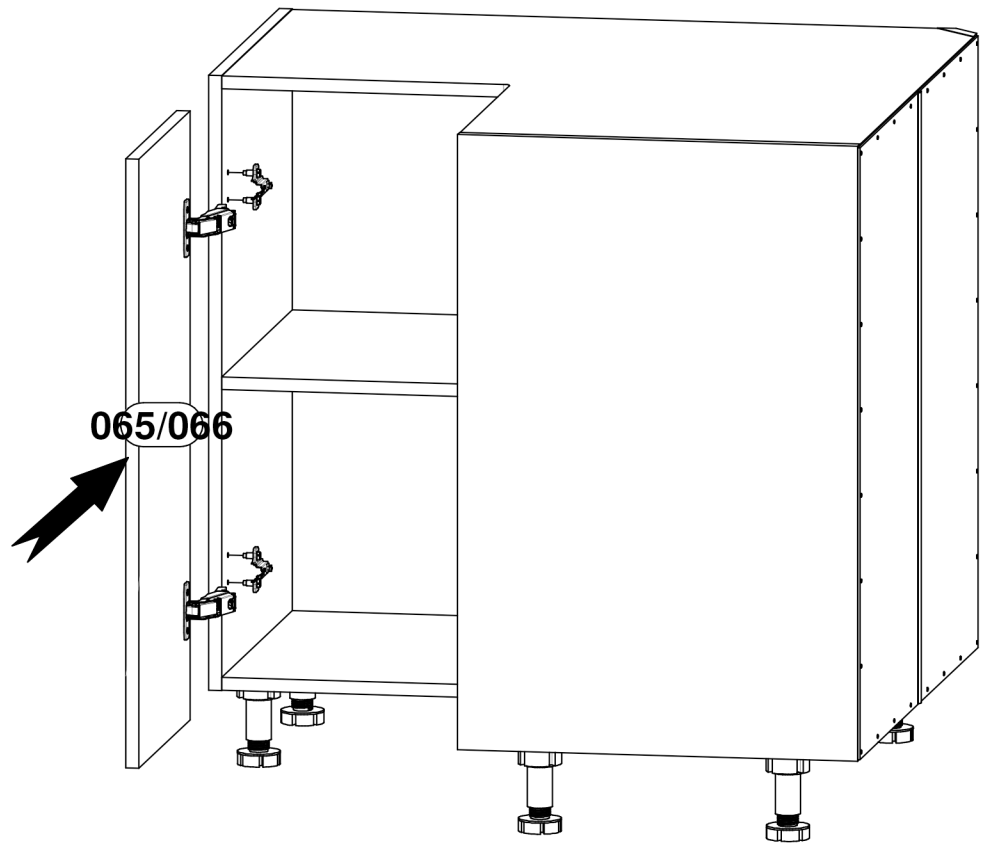
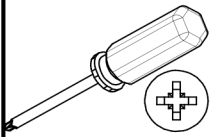


Ø35mm, 165°

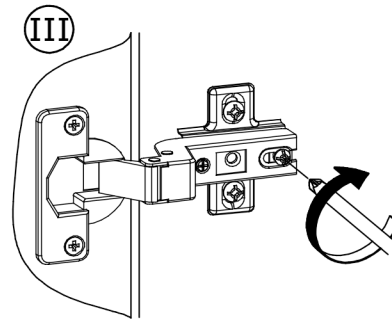
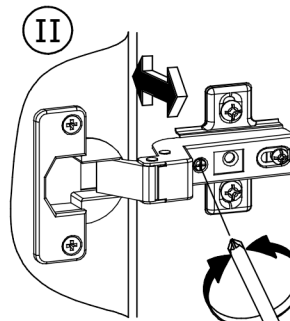
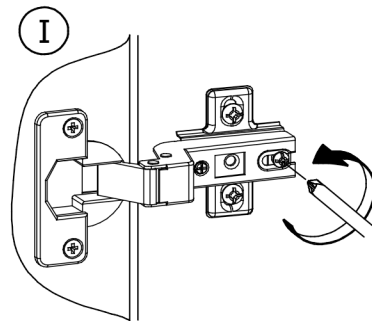
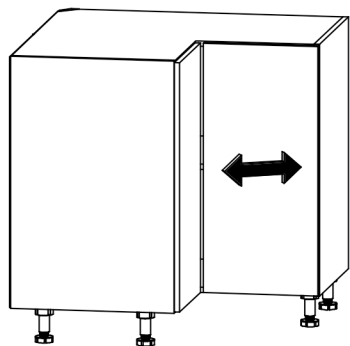
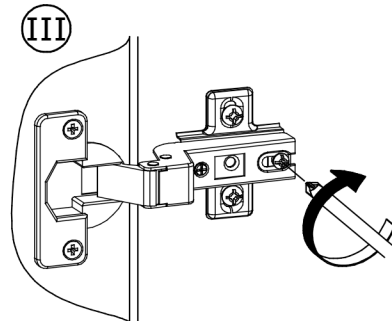
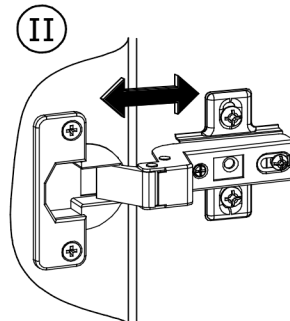
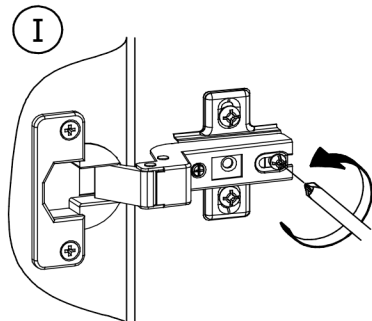
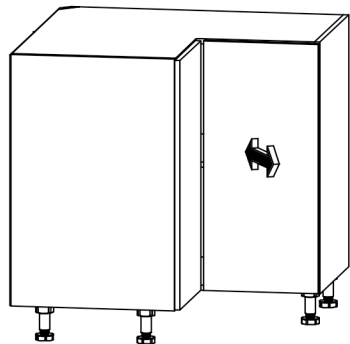
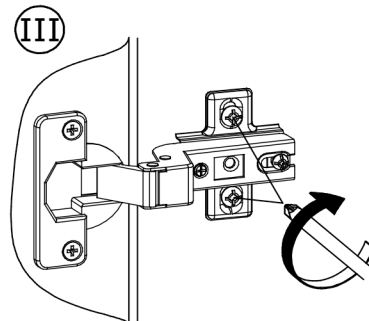
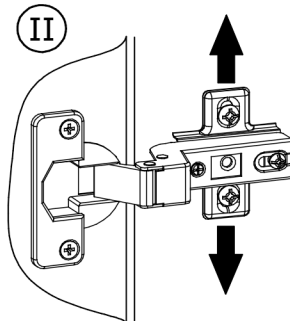
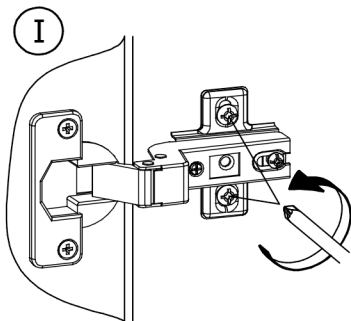
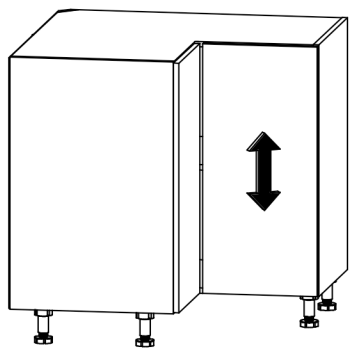
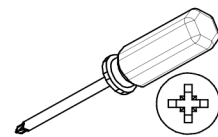


7

Z8-a x 4  
50x40, H=2



# 8



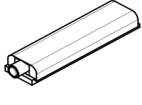
# ?

## A

## B

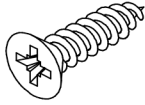
### A

I20x

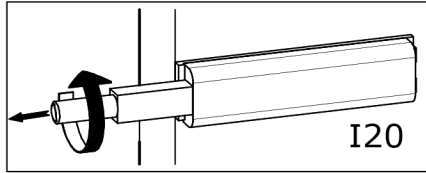


83x21x11mm

W2x



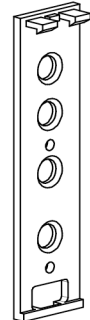
Ø3,5x16mm



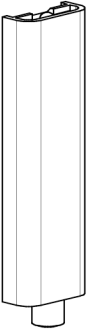
I20



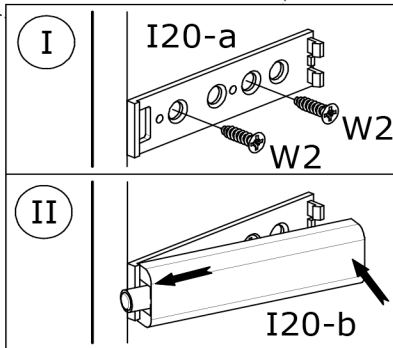
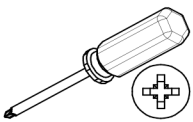
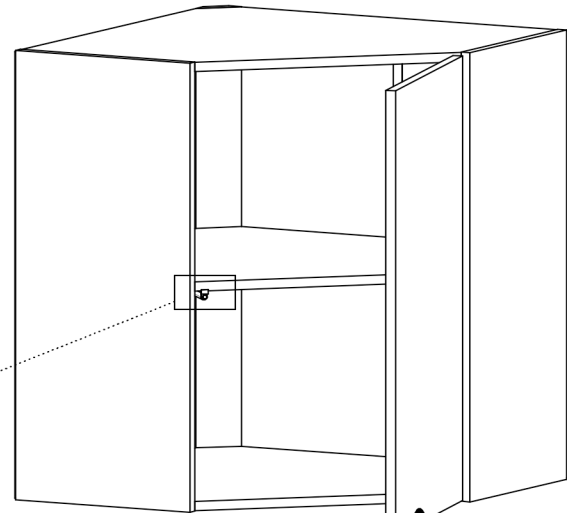
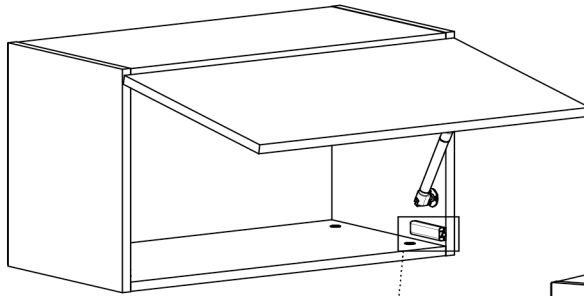
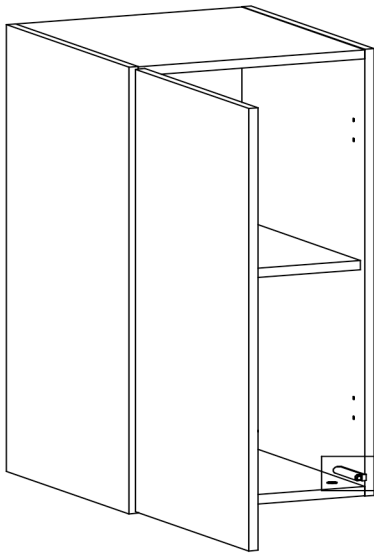
I20



I20-a



I20-b



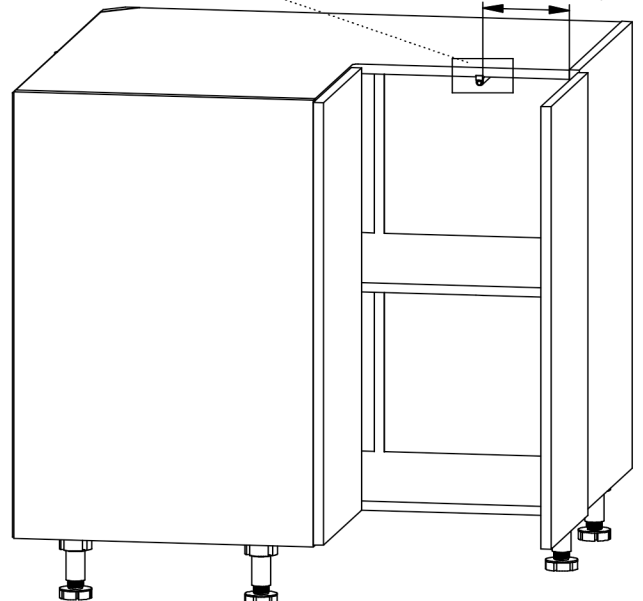
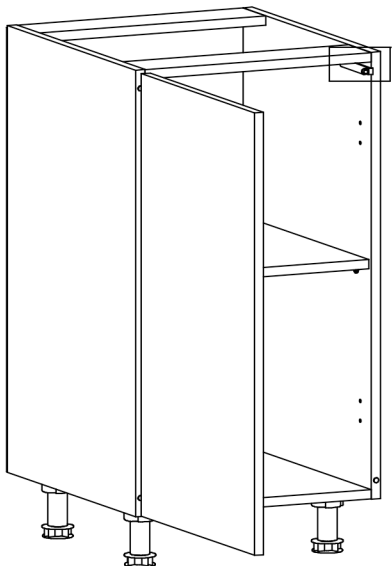
I

I20-a

W2

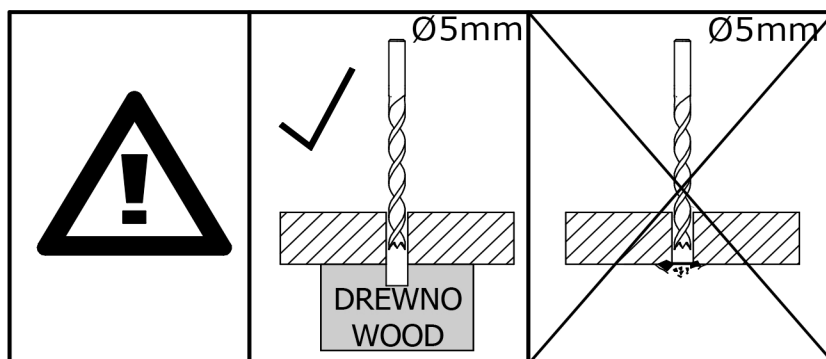
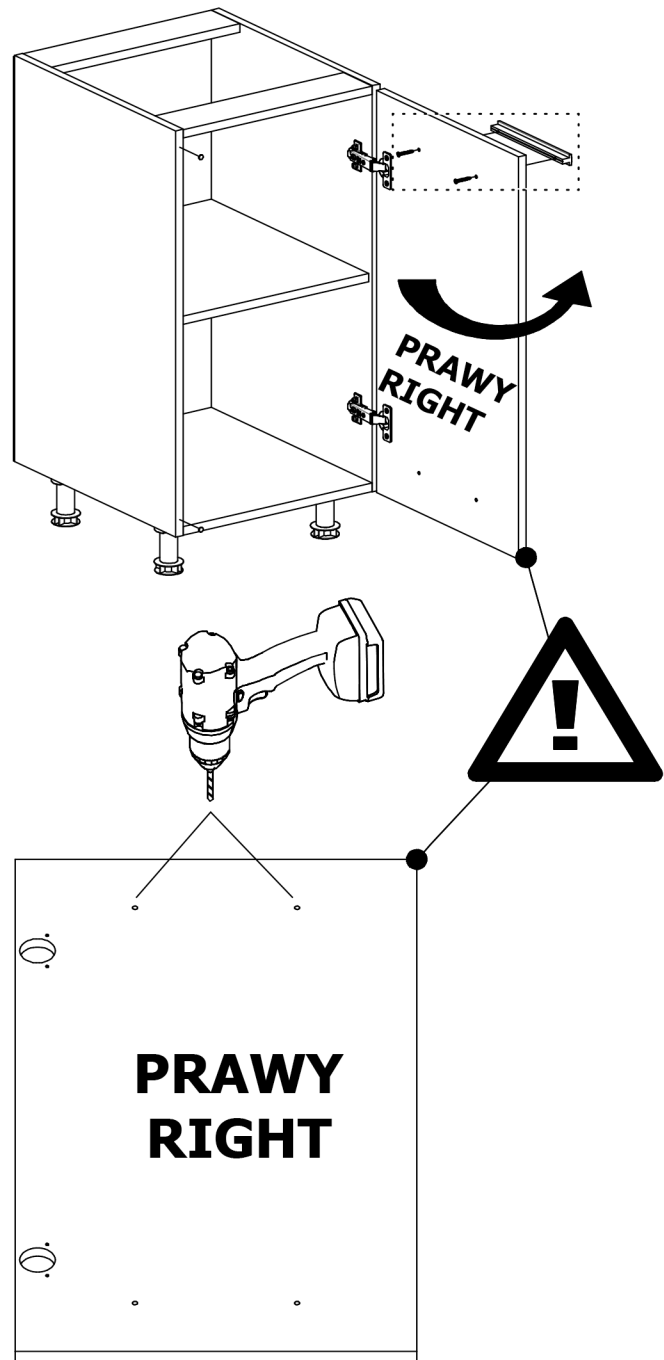
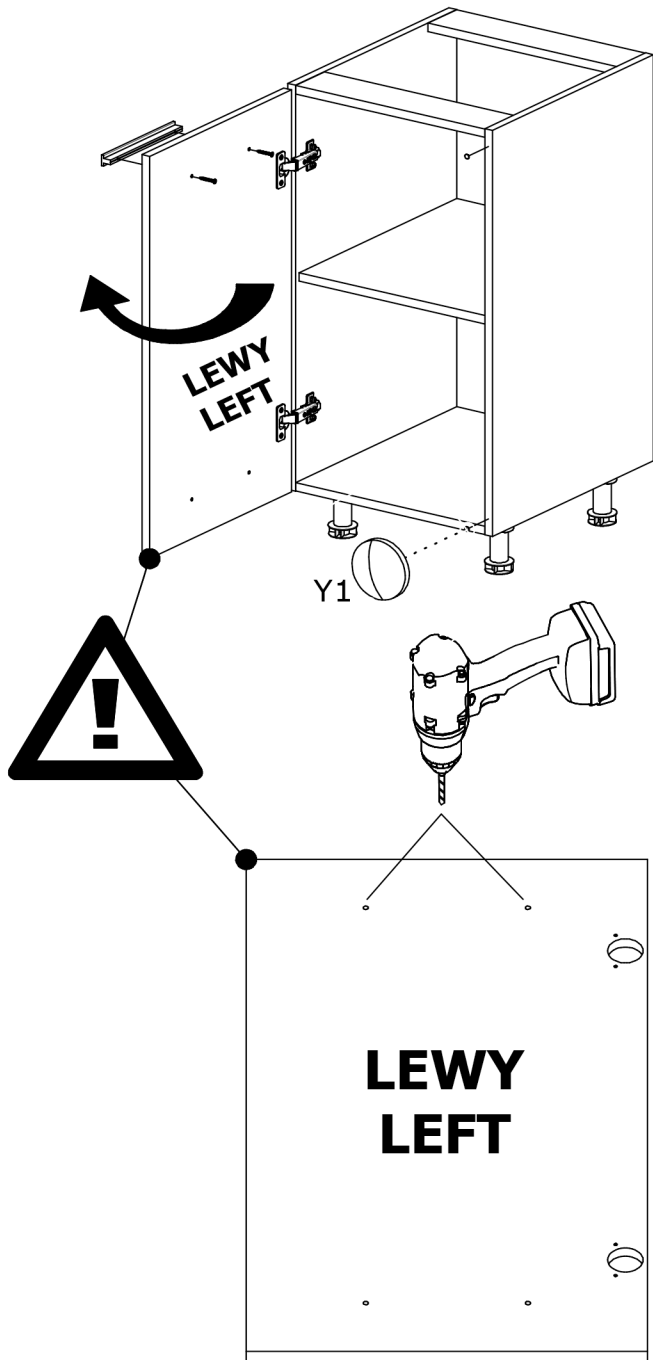
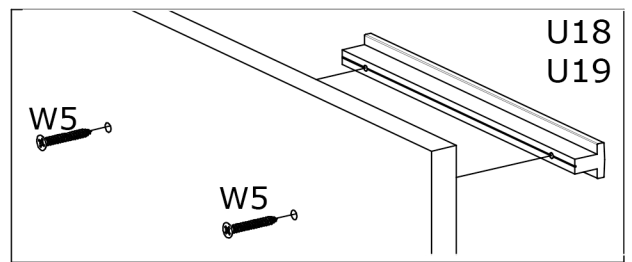
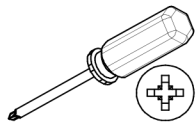
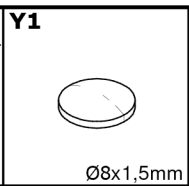
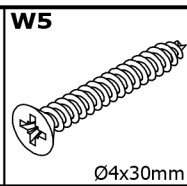
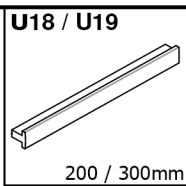
II

I20-b

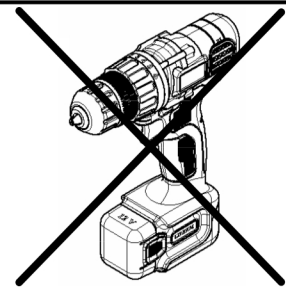
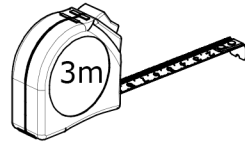
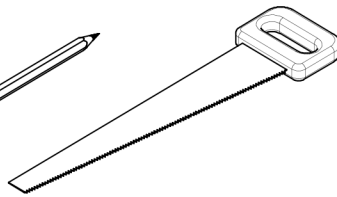
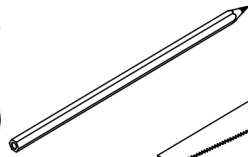
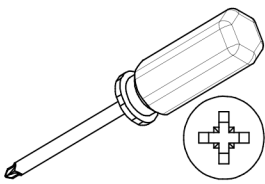


130 mm

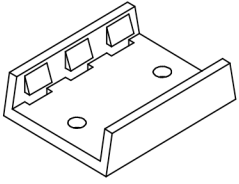
**B**





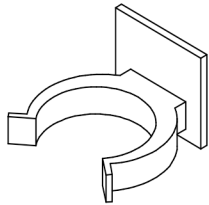


**L6-a**x8



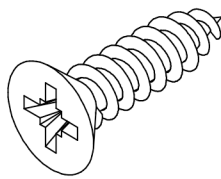
38x30x10mm

**L6-b**x8

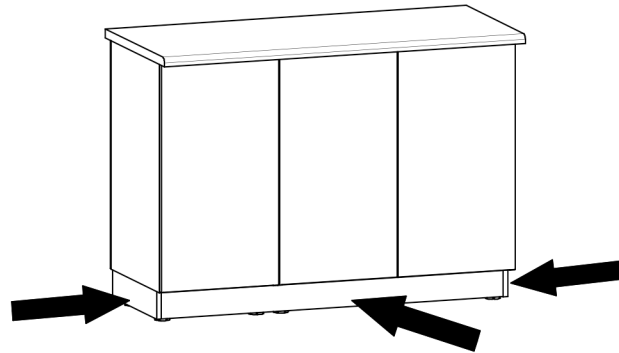
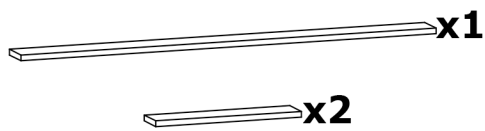


35x32x25mm

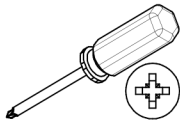
**W2**x16



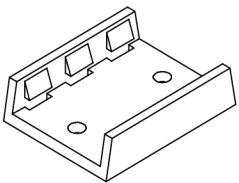
Ø3,5x16mm



**C1**

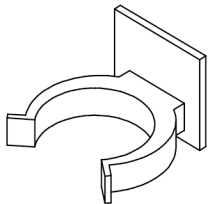


**L6-a**x4



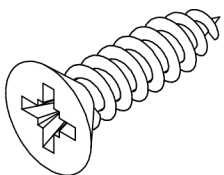
38x30x10mm

**L6-b**x4

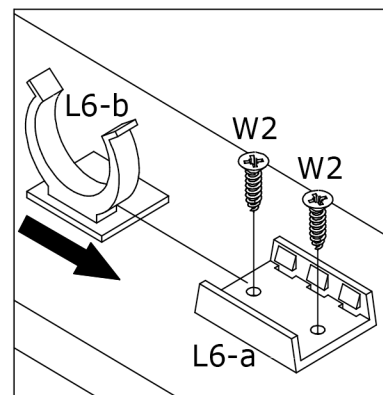
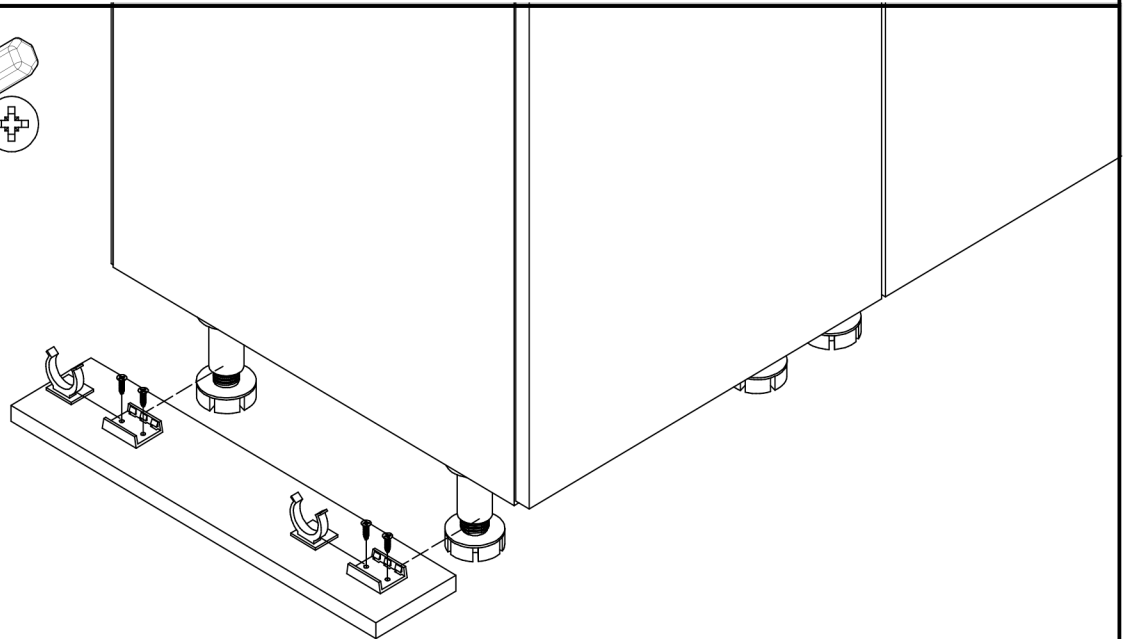


35x32x25mm

**W2**x8

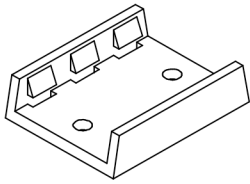


Ø3,5x16mm



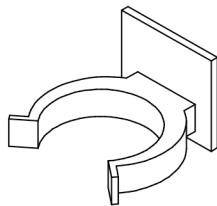
**C2**

**L6-a x4**



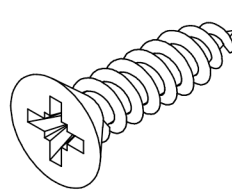
38x30x10mm

**L6-b x4**



35x32x25mm

**W2 x8**



Ø3,5x16mm

